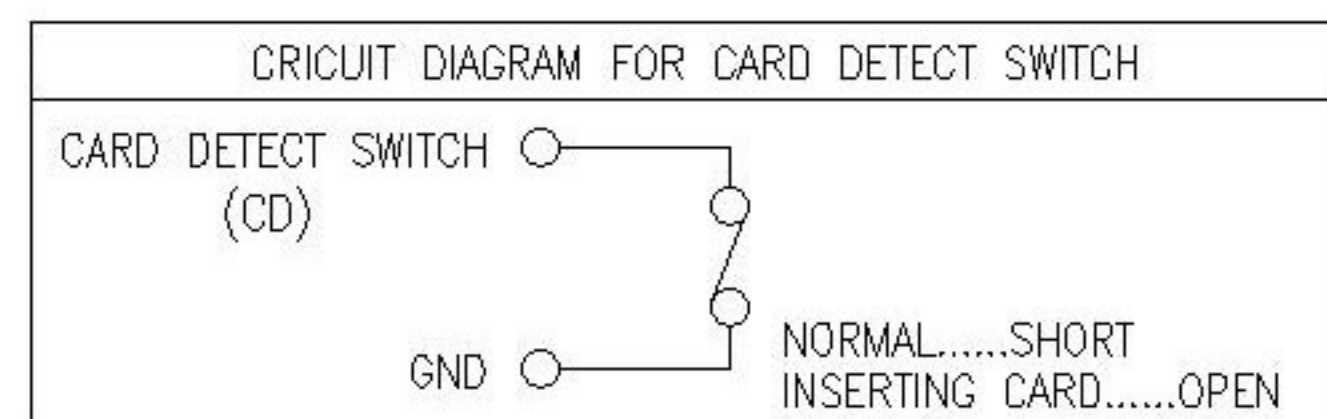


SWITCH CONNECTOR



SIM pin Assignment	
PIN#	Name
C1	VCC
C2	RST
C3	CLK
C5	GND
C6	VPP
C7	I/O

MARK	DESCRIPTION	DATE	REVISED	APPROVED	UNSPECIFIED TOLERANCES	DSND	DATE	SCALE: N/A	MODEL TYPE: SIM CARD CONN		
ΔX					ANGULAR ±5°	DWN	DATE	VIEW:	PART NO.:		
ΔX					L ≤ 4 ±0.2	CHKD	DATE	UNIT: mm	DWG NO.:		
ΔX					4 < L ≤ 16 ±0.3	APPD	DATE	SIZE: A4	XKNANO-113		
					16 < L ≤ 63 ±0.4				WEIGHT	SHEET	REVISION
					L > 63 ±0.5				1.0g	1/1	A0
REVISIONS						XKB INDUSTRIAL PRECISION CO., LIMITED					
www.xk-dg.cn www.helloxkb.com www.helloxkb.cn											