

1 2 3 4 5 6 7 8

A

B

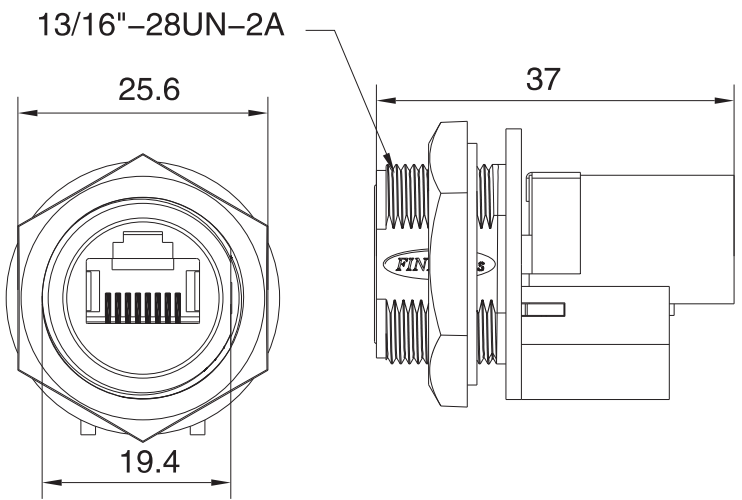
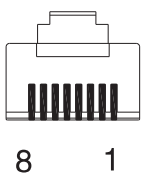
C

D

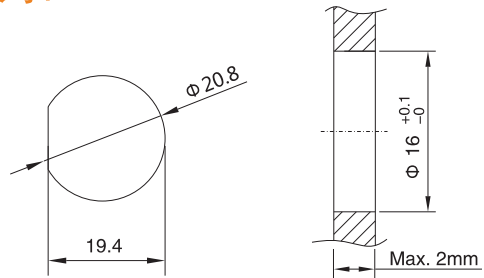
E

F

板厚 Max2.0mm



钻孔尺寸:



					ANGULAR	$\pm 5^\circ$
$\triangle X$					$L \leq 4$	± 0.2
$\triangle X$					$4 < L \leq 16$	± 0.3
$\triangle X$					$16 < L \leq 63$	± 0.4
MARK	DESCRIPTION	DATE	REVISED	APPROVED	$L > 63$	± 0.5
REVISIONS					UNSPECIFIED TOLERANCES	

DSND		DATE		SCALE: N/A	MODEL TYPE: RJ JACK
DWN		DATE		VIEW:	PART NO.: RJ45S-XKB08S
CHKD		DATE		UNIT: mm	DWG NO.:
APPD		DATE		SIZE: A4	
				WEIGHT 1.0g	SHEET 1/1
				REVISION A0	

XKB INDUSTRIAL PRECISION CO., LIMITED

1 2 3 4 5 6 7 8

A

B

C

D

E

F