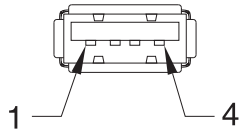
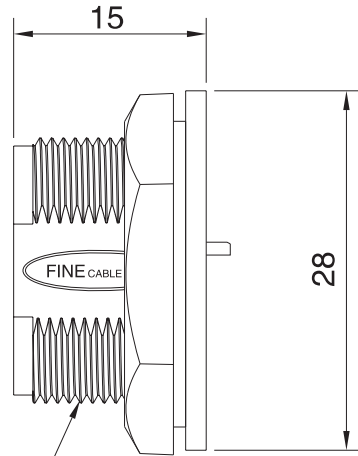


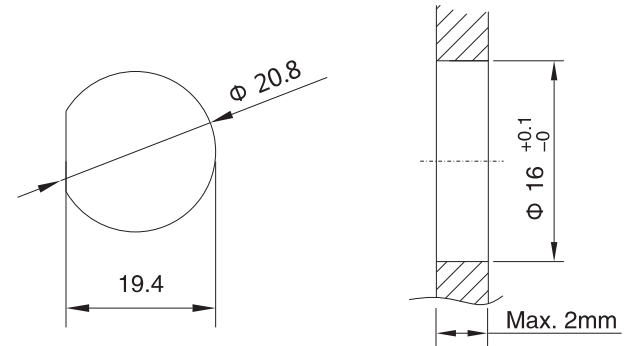
Panel thickness Max2.0mm



13/16"-28UN-2A



钻孔尺寸:



					ANGULAR	±5°
△ X					L ≤ 4	±0.2
△ X					4 < L ≤ 16	±0.3
△ X					16 < L ≤ 63	±0.4
MARK	DESCRIPTION	DATE	REVISED	APPROVED	L > 63	±0.5
REVISIONS					UNSPECIFIED TOLERANCES	

DSND		DATE		SCALE: N/A	MODEL TYPE:
DWN		DATE		VIEW:	USB 2.0
CHKD		DATE		UNIT: mm	USB 2.0 WF04S
APPD		DATE		SIZE: A4	DWG NO.:

WEIGHT	SHEET	REVISION
1.0g	1/1	A0

XKB INDUSTRIAL PRECISION CO., LIMITED