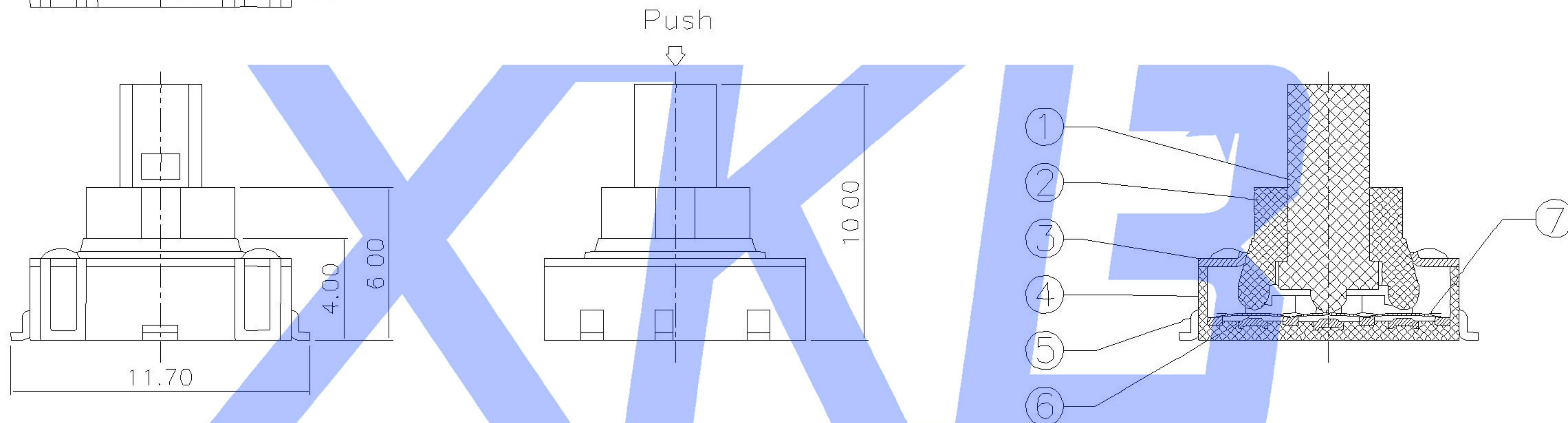
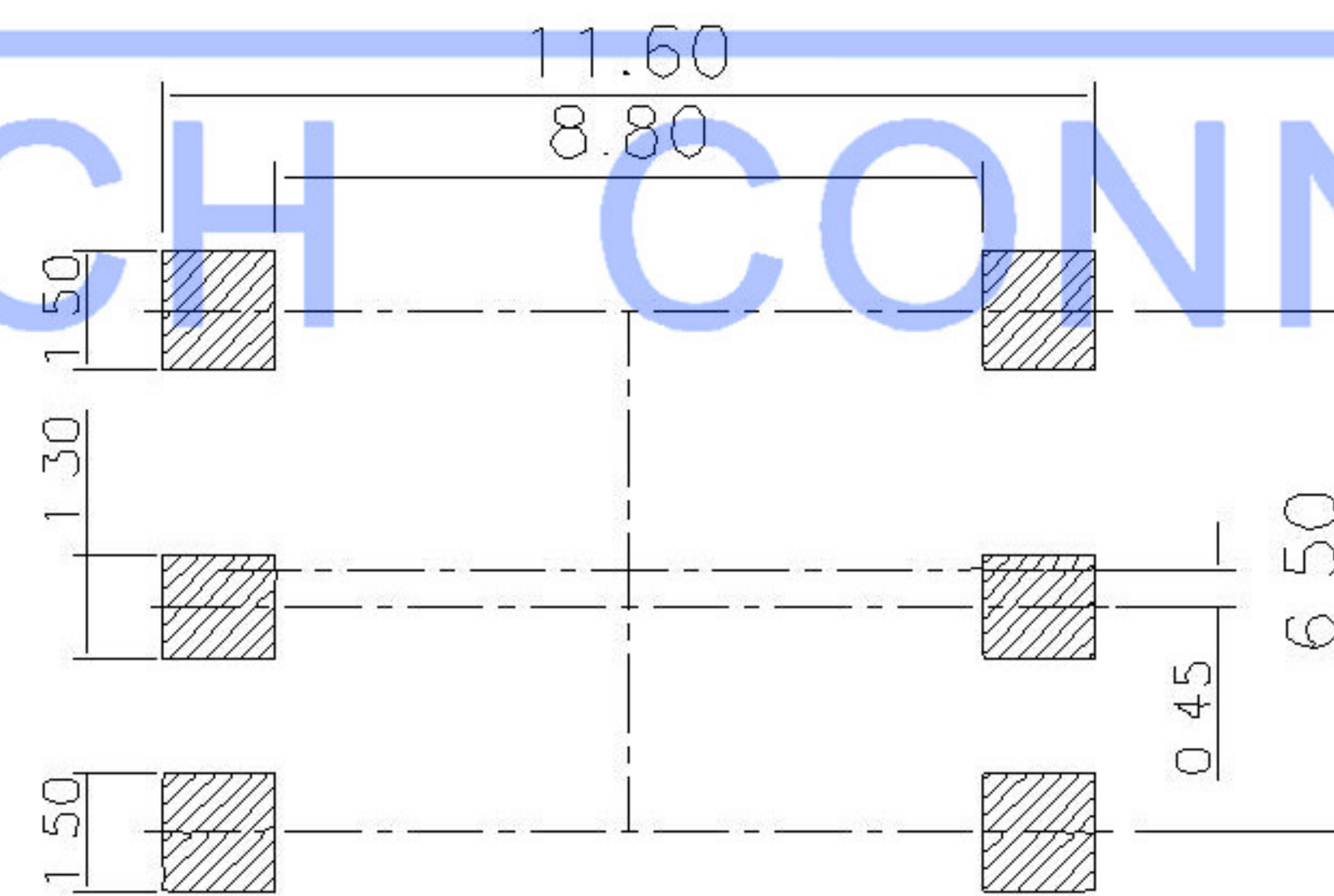


Circuit Diagram



SWITCH CONNECTOR

NOTE:
 Operating Force:
 4-direction 160 ± 35 gf
 center push 300 ± 35 gf
 Travel 4-direction $5^\circ \pm 2^\circ$
 center push 0.20 ± 0.1 mm



PCB Layout(Pattern Side)

ITEM	PART NAME	TER'NO.	QTY.	MATERIAL	FINISHING	REMARK
⑦	Dust cover	—	1	Kapton film	Yellow	—
⑥	Contact	—	6	F.Ag/SUS	—	Circular
⑤	Terminal	—	8	Brass(0.3t)	Plating silver	—
④	Base	—	1	LCP	Black	—
③	Cover	—	1	SUS	Plating Sn	—
②	Axle sleeve	—	1	LCP	Off-white	—
①	Knob	—	1	LCP	Black	—

DSND	DATE	SCALE: N/A	MODEL TYPE:
DWN	DATE	VIEW:	MULTIFUNCTIONAL SWITCHES
CHKD	DATE	UNIT: mm	PART NO.:
APPD	DATE	SIZE: A4	DWG NO.: TM-2027
XKB INDUSTRIAL PRECISION CO.,LIMITED			WEIGHT: 1.0g
			SHEET: 1/1
			REVISION: A0

MARK	DESCRIPTION	DATE	REVISED	APPROVED	ANGLAR	TOLERANCES
Δx					$\pm 5^\circ$	UNSPECIFIED TOLERANCES
Δx					$L \leq 4$	± 0.2
Δx					$4 < L \leq 16$	± 0.3
					$16 < L \leq 63$	± 0.4
					$L > 63$	± 0.5